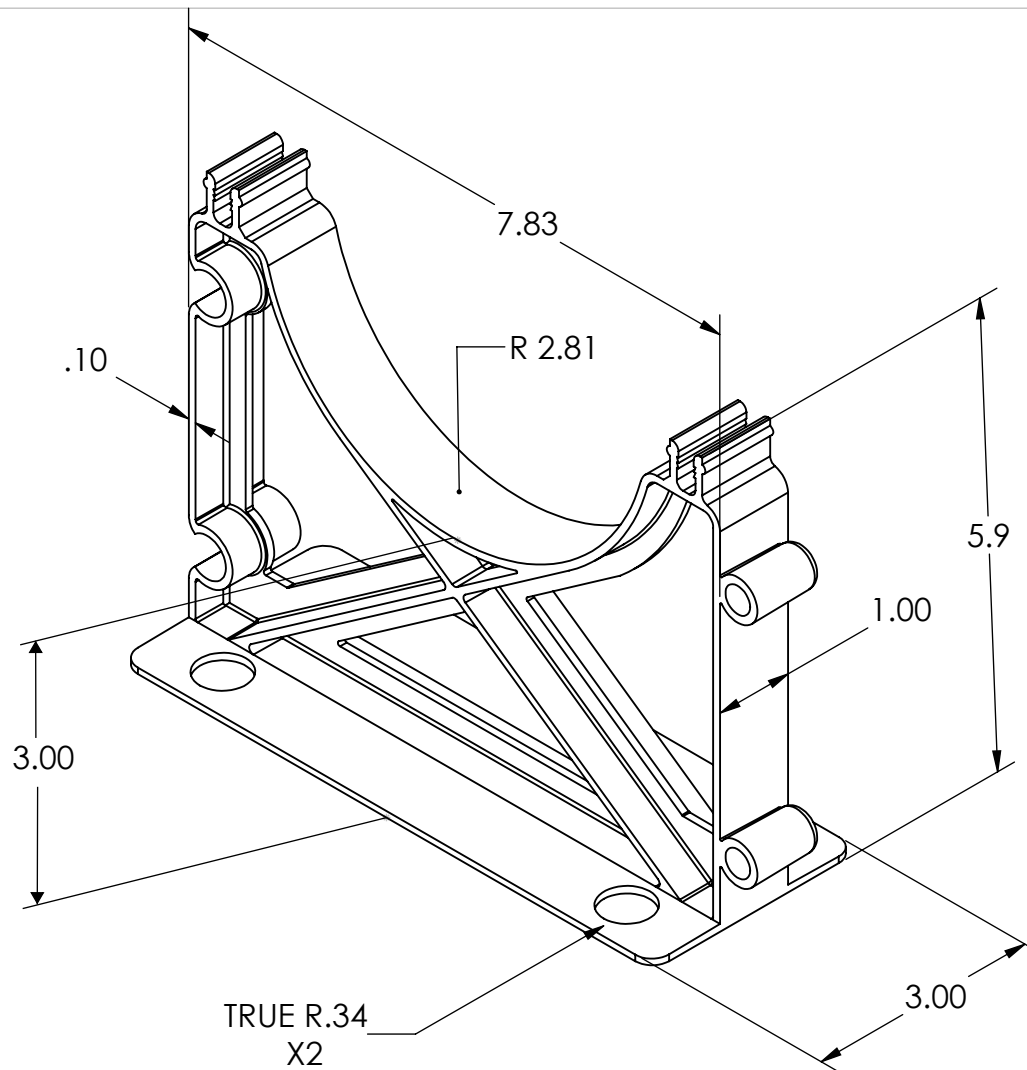



| REV | CHANGE | DATE |
|-----|---------------|---------|
| B | P/N SELECTION | 6/06/16 |



| | | | | |
|--|--|-----------|------------------|--|
| UNLESS OTHERWISE SPECIFIED: | | DATE | NAME |  TITLE: 5" X 2" BASE SPACER |
| DIMENSIONS ARE IN INCHES | | DRAWN | 08-13-05 MIKE M. | |
| TOLERANCES: | | CHECKED | | |
| ANGULAR: $\pm .5$ | | ENG APPR. | | |
| TWO PLACE DECIMAL $\pm .010$ | | MFG APPR. | | |
| THREE PLACE DECIMAL $\pm .005$ | | Q.A. | | |
| INTERPRET GEOMETRIC TOLERANCING PER: | | COMMENTS: | | |
| MATERIAL | | HIPS | | |
| FINISH | | | | |
| THE INFORMATION CONTAINED IN THIS DRAWING IS THE SOLE PROPERTY OF CAL AM MFG. ANY REPRODUCTION IN PART OR AS A WHOLE WITHOUT THE WRITTEN PERMISSION OF CAL AM IS PROHIBITED. | | SIZE | DWG. NO. | REV |
| | | A | 4050-20 | B |
| | | | | SHEET 1 OF 1 |