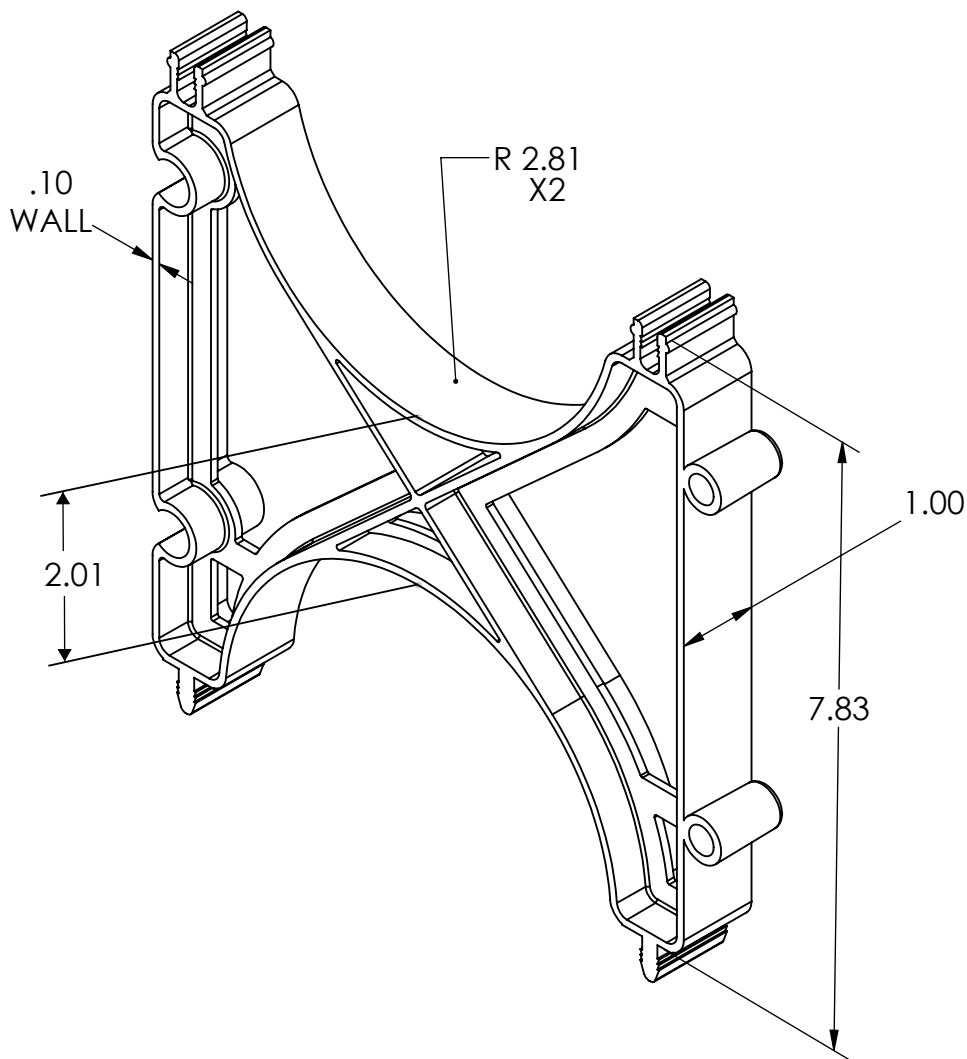



REV	CHANGE	DATE
B	P/N SELECTION	6/06/16



PROPRIETARY AND CONFIDENTIAL

THE INFORMATION CONTAINED IN THIS DRAWING IS THE SOLE PROPERTY OF CAL AM MFG. ANY REPRODUCTION IN PART OR AS A WHOLE WITHOUT THE WRITTEN PERMISSIONS OF CAL AM IS PROHIBITED

DIMENSIONS ARE IN INCHES TOLERANCES: ANGULAR: $\pm .5$ TWO PLACE DECIMAL $\pm .010$ THREE PLACE DECIMAL $\pm .005$		DATE 08-31-05	NAME MIKE M.	 <p>CAL AM MANUFACTURING <i>Underground Electrical & Broadband Fittings</i></p>
MATERIAL HIPS		CHECKED ENG APPR MFG APPR Q. A. COMMENTS:	TITLE: <h2 style="text-align: center;">5" X 2" INTER SPACER</h2>	
FINISH		SIZE DWG. NO. A 4150-20		REV. B
SHEET 1 OF 1				