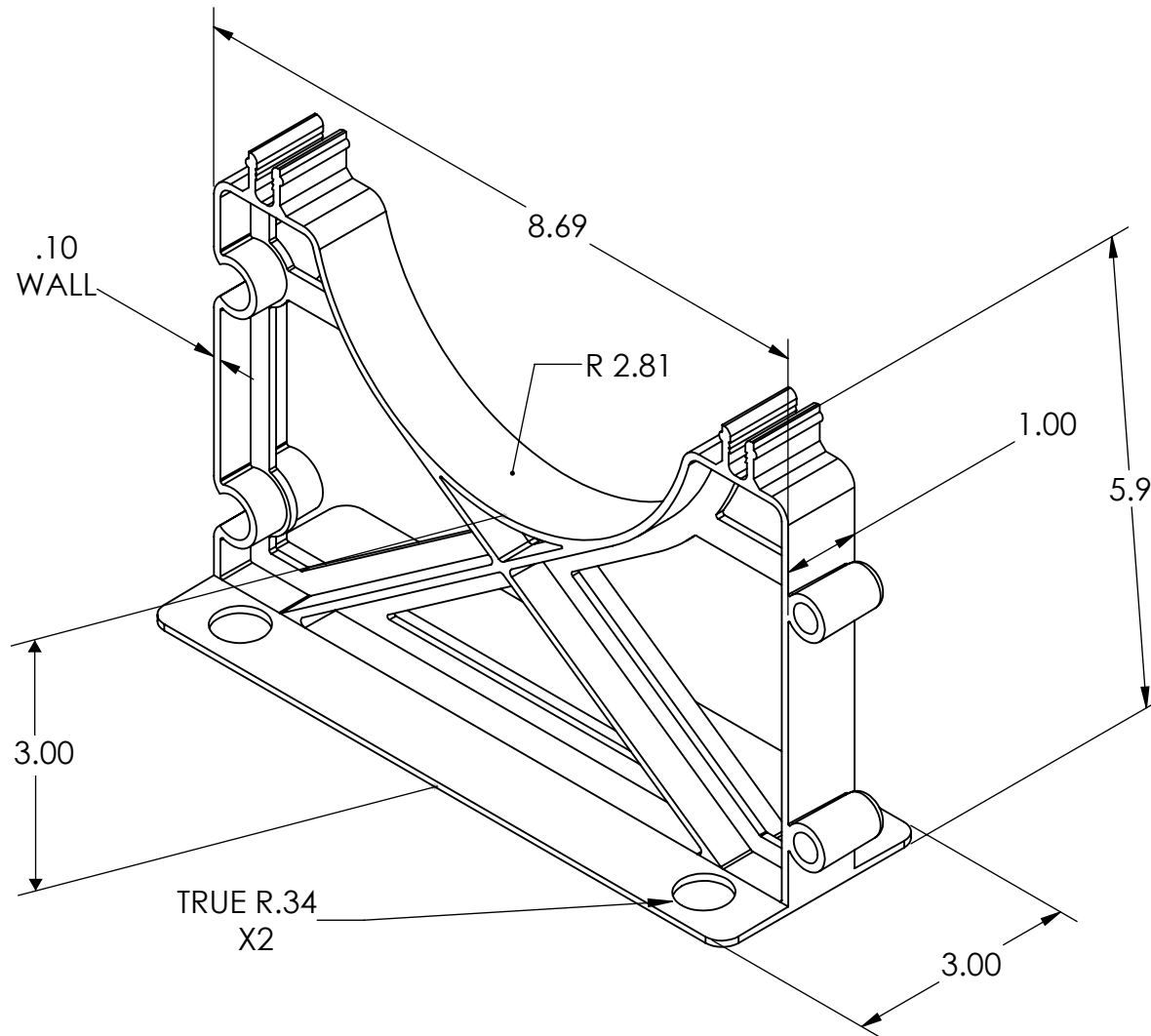



| REV | CHANGE | DATE |
|-----|---------------|---------|
| B | P/N SELECTION | 6/06/16 |



| UNLESS OTHERWISE SPECIFIED: | | DATE | NAME |
|---|--|-------------------------|----------------------------|
| DIMENSIONS ARE IN INCHES TOLERANCES: ANGULAR: $\pm .5$ TWO PLACE DECIMAL $\pm .010$ THREE PLACE DECIMAL $\pm .005$ | | DRAWN 08-13-05 | MIKE M. |
| INTERPRET GEOMETRIC TOLERANCING PER: | | CHECKED | |
| MATERIAL HIPS | | ENG APPR. | |
| FINISH | | MFG APPR. | |
| | | Q.A. | |
| | | COMMENTS: | |
|  TITLE: 5" X 3" BASE SPACER | | | |
| <p>THE INFORMATION CONTAINED IN THIS DRAWING IS THE SOLE PROPERTY OF CAL AM MFG. ANY REPRODUCTION IN PART OR AS A WHOLE WITHOUT THE WRITTEN PERMISSION OF CAL AM IS PROHIBITED.</p> | | SIZE A | DWG. NO. 4050-30 |
| | | REV B | SHEET 1 OF 1 |