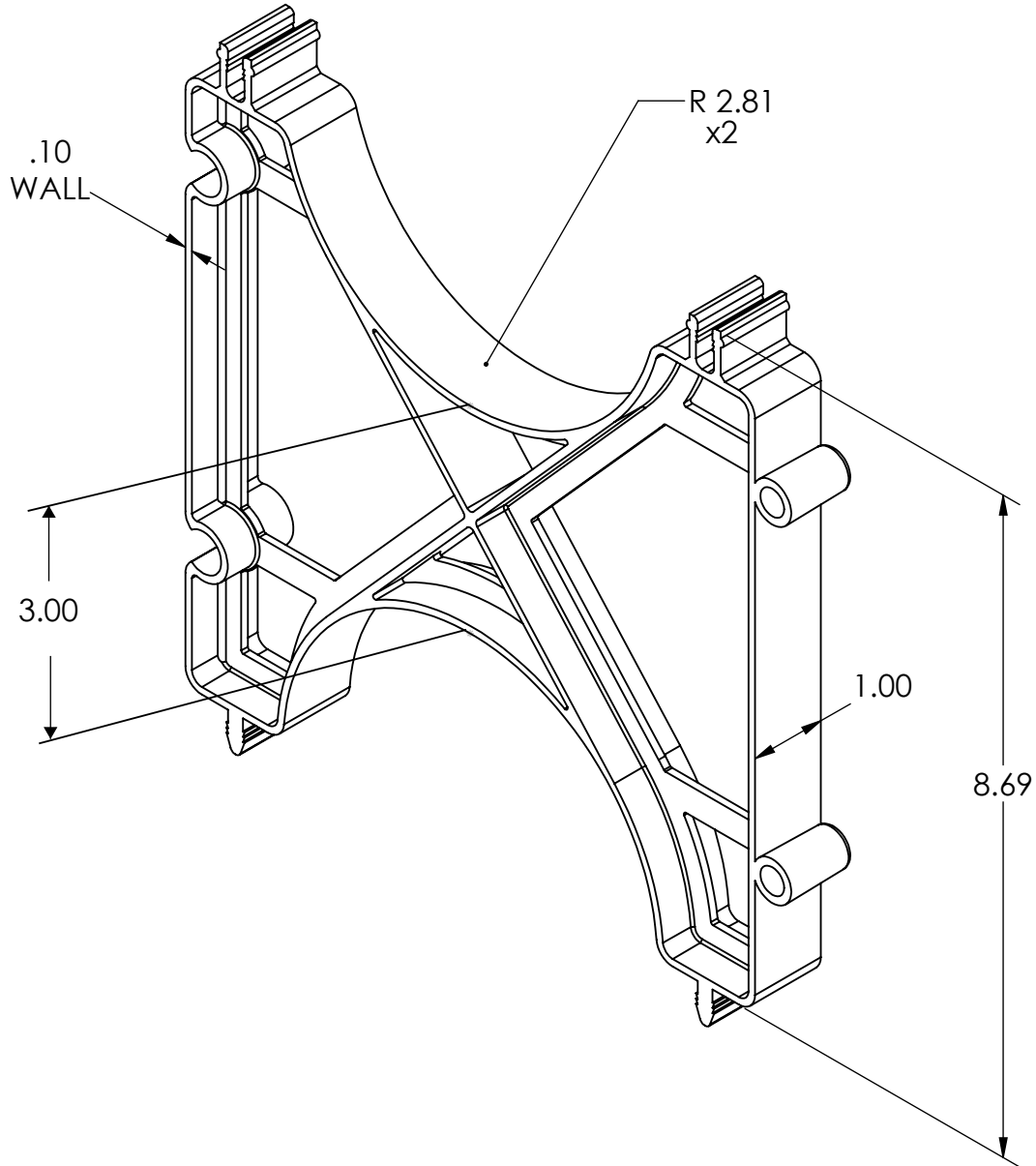



REV	CHANGE	DATE
B	P/N SELECTION	6/06/16



**PROPRIETARY AND CONFIDENTIAL**  
 THE INFORMATION CONTAINED IN THIS DRAWING IS THE SOLE PROPERTY OF CAL AM MFG. ANY REPRODUCTION IN PART OR AS A WHOLE WITHOUT THE WRITTEN PERMISSIONS OF CAL AM IS PROHIBITED

DIMENSIONS ARE IN INCHES TOLERANCES: ANGULAR: $\pm .5$ TWO PLACE DECIMAL $\pm .010$ THREE PLACE DECIMAL $\pm .005$		DATE	NAME	 <b>TITLE:</b> <b>5" X 3" INTER SPACER</b>
MATERIAL	HIPS	DRAW	08-31-05 MIKE M.	
FINISH		CHECKED		SIZE DWG. NO.
		ENG APPR		<b>A</b> 4150-30
		MFG APPR		REV.
		Q. A.		<b>B</b>
		COMMENTS:		SHEET 1 OF 1