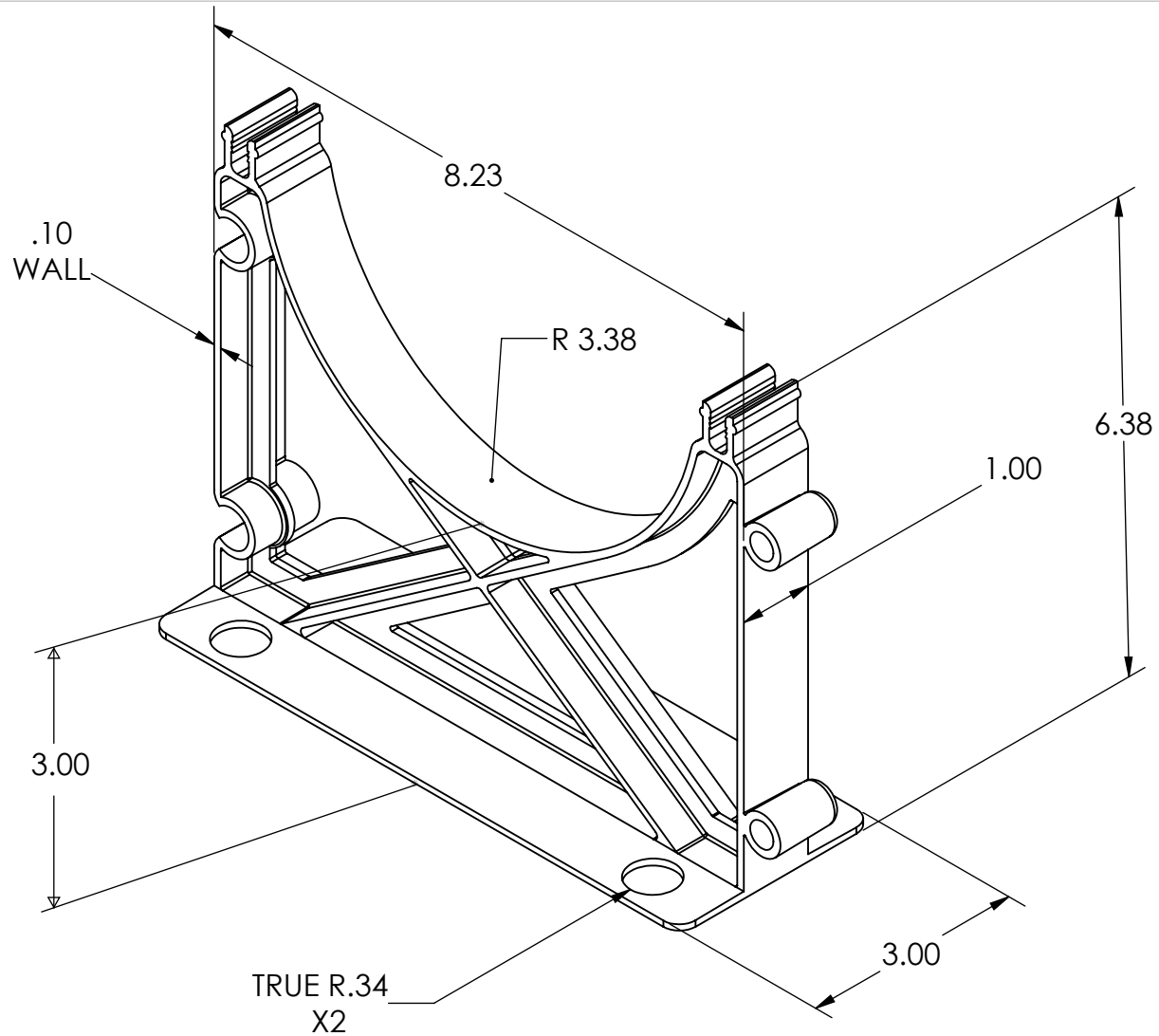


REV	CHANGE	DATE
B	P/N SELECTION	6/06/16



UNLESS OTHERWISE SPECIFIED:		DATE	NAME
DIMENSIONS ARE IN INCHES		DRAWN	08-13-05 MIKE M.
TOLERANCES:		CHECKED	
ANGULAR: $\pm .5$		ENG APPR.	
TWO PLACE DECIMAL $\pm .010$		MFG APPR.	
THREE PLACE DECIMAL $\pm .005$		Q.A.	
INTERPRET GEOMETRIC TOLERANCING PER:		COMMENTS:	
MATERIAL			
HIPS			
FINISH			



TITLE:
6" X 1-1/2" BASE SPACER

THE INFORMATION CONTAINED IN THIS DRAWING IS THE SOLE PROPERTY OF CAL AM MFG. ANY REPRODUCTION IN PART OR AS A WHOLE WITHOUT THE WRITTEN PERMISSION OF CAL AM IS PROHIBITED.

SIZE	DWG. NO.	REV
A	4060-15	B
		SHEET 1 OF 1