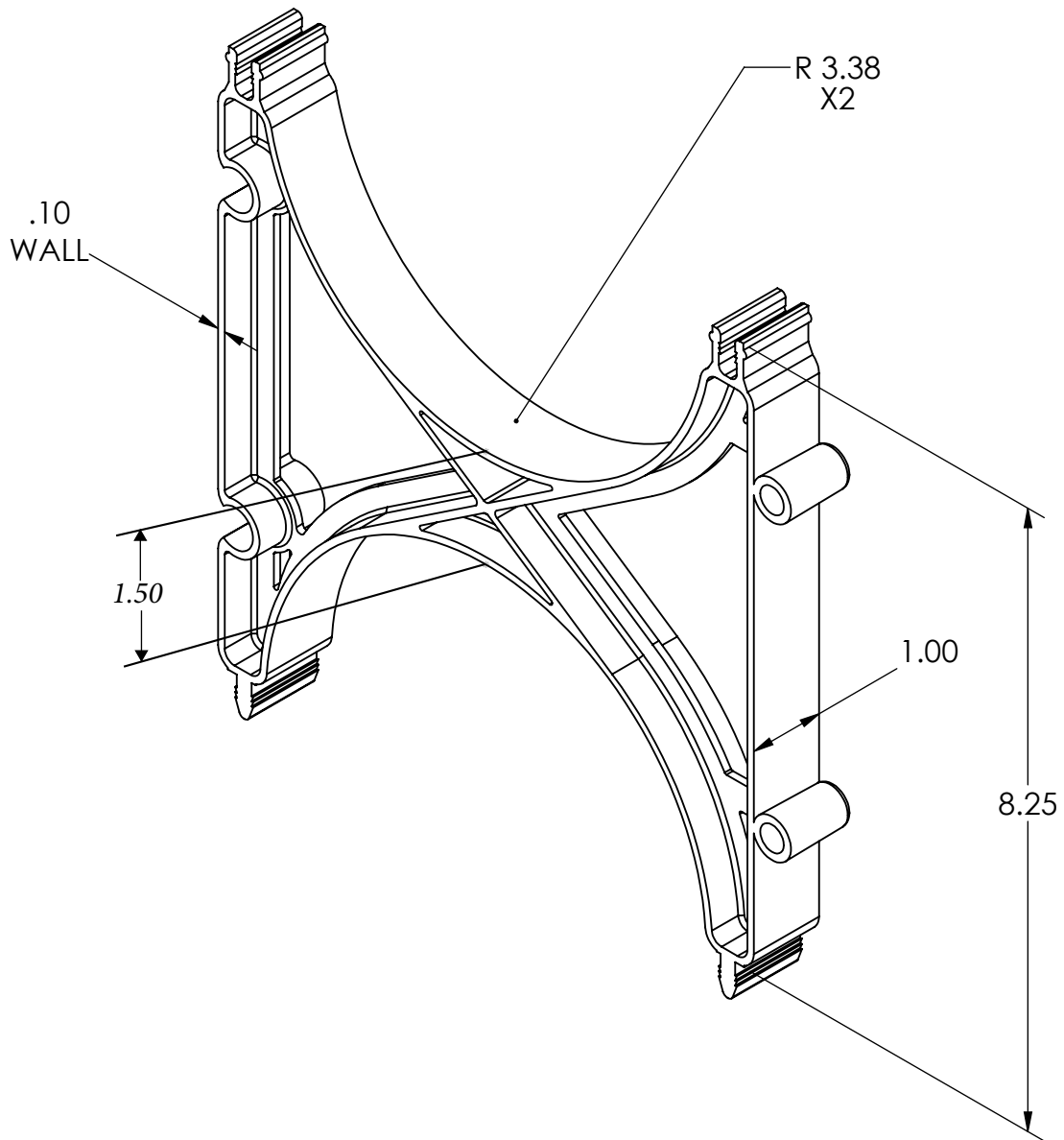



| REV | CHANGE        | DATE    |
|-----|---------------|---------|
| B   | P/N SELECTION | 6/06/16 |



**PROPRIETARY AND CONFIDENTIAL**

THE INFORMATION CONTAINED IN THIS DRAWING IS THE SOLE PROPERTY OF CAL AM MFG. ANY REPRODUCTION IN PART OR AS A WHOLE WITHOUT THE WRITTEN PERMISSIONS OF CAL AM IS PROHIBITED

|  |  |           |          |   |         |
|--|--|-----------|----------|---|---------|
| DIMENSIONS ARE IN INCHES<br>TOLERANCES:<br>ANGULAR: $\pm .5$<br>TWO PLACE DECIMAL $\pm .010$<br>THREE PLACE DECIMAL $\pm .005$ |  | DATE      | NAME     | <br><b>TITLE:</b><br><b>6" X 1-1/2" INTER SPACER</b> |         |
| MATERIAL   |  | DRAW      | 08-31-05 |   | MIKE M. |
| FINISH   |  | CHECKED   |          |   |         |
|  |  | ENG APPR  |          |   |         |
|  |  | MFG APPR  |          |   |         |
|  |  | Q. A.     |          |   |         |
|  |  | COMMENTS: |          | SIZE DWG. NO. <b>A</b> 4160-15<br>REV. <b>B</b>   |         |
|  |  |           |          | SHEET 1 OF 1  |         |