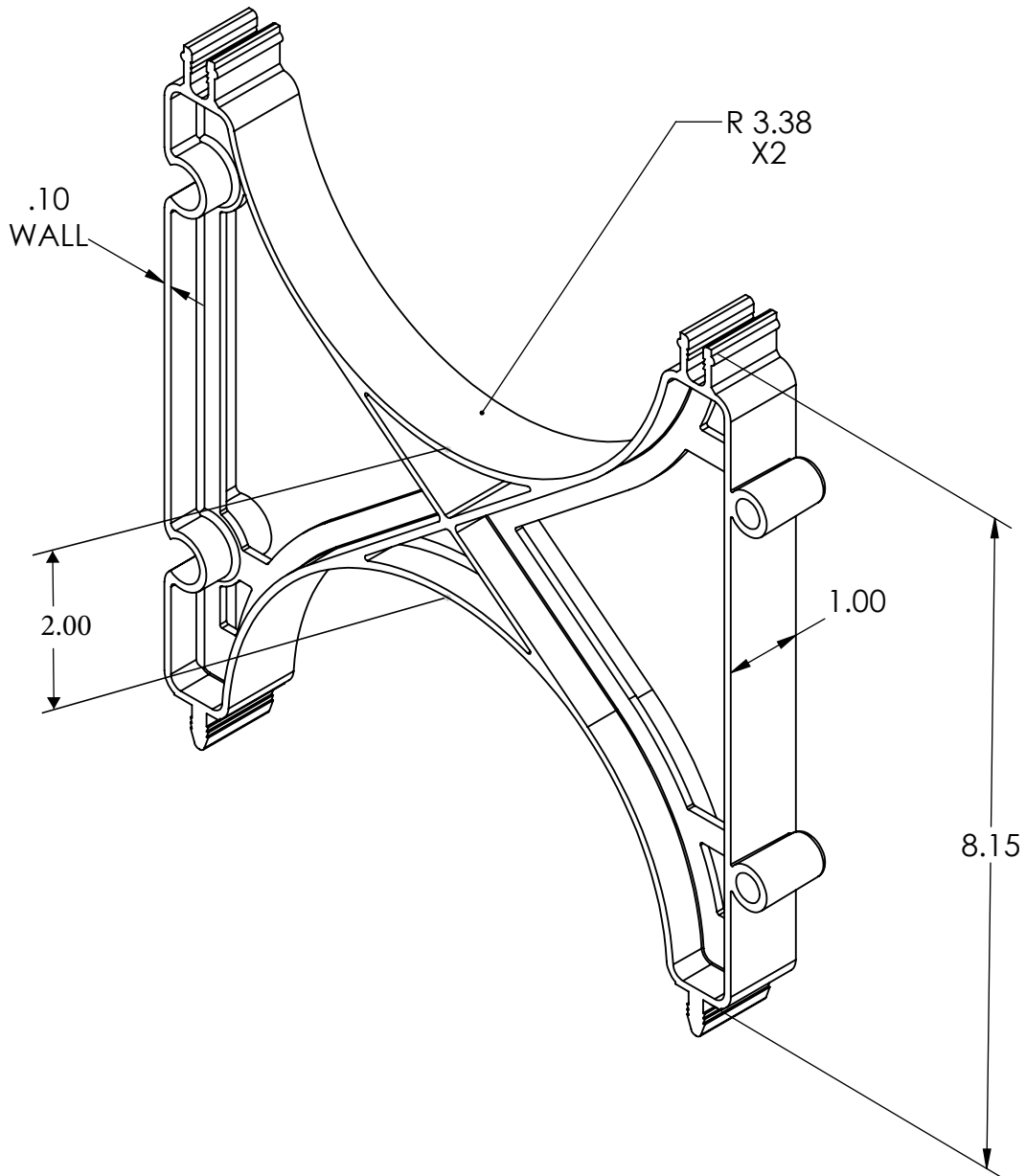



REV	CHANGE	DATE
B	P/NSELECTION	6/06/16



PROPRIETARY AND CONFIDENTIAL

THE INFORMATION CONTAINED IN THIS DRAWING IS THE SOLE PROPERTY OF CAL AM MFG. ANY REPRODUCTION IN PART OR AS A WHOLE WITHOUT THE WRITEN PERMISSIONS OF CAL AM IS PROHIBITED

DIMENSIONS ARE IN INCHES TOLERANCES: ANGULAR: $\pm .5$ TWO PLACE DECIMAL $\pm .010$ THREE PLACE DECIMAL $\pm .005$		DATE 08-31-05	NAME MIKE M.	 TITLE: 6" X 2" INTER SPACER
MATERIAL HIPS	FINISH	COMMENTS: _____ _____ _____		
		SIZE DWG. NO. A 4160-20		REV. B
				SHEET 1 OF 1