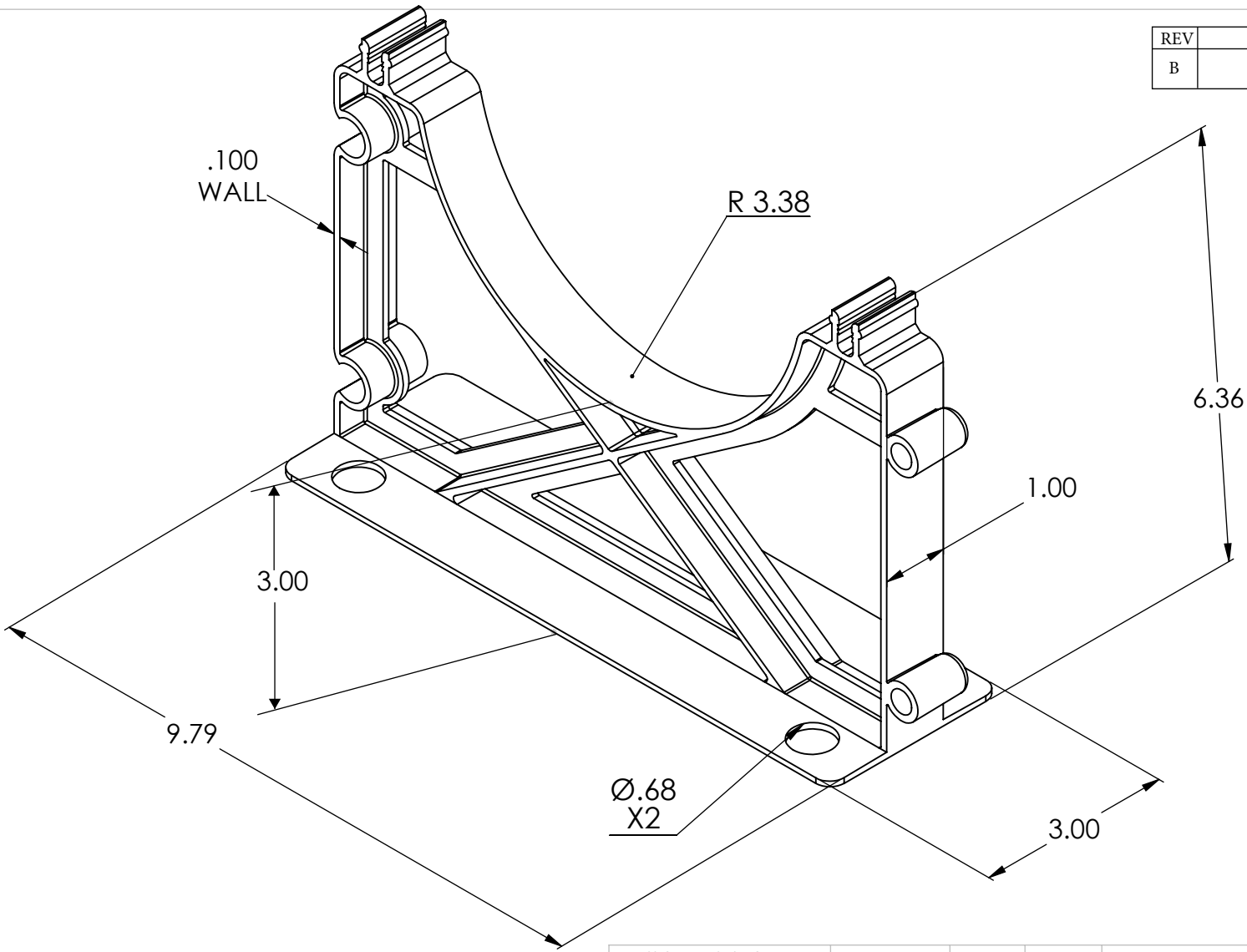


REV	CHANGE	DATE
B	P/N SELECTION	6/06/16



UNLESS OTHERWISE SPECIFIED :

DIMENSIONS ARE IN INCHES
 TOLERANCES:
 ANGULAR: $\pm .5$
 TWO PLACE DECIMAL $\pm .010$
 THREE PLACE DECIMAL $\pm .005$

INTERPRET GEOMETRIC
 TOLERANCING PER:

MATERIAL
HIPS

FINISH

DATE NAME

DRAWN 08-13-05 MIKE M.

CHECKED

ENG APPR.

MFG APPR.

Q.A.

COMMENTS:



TITLE:

**6" X 3"
 BASE SPACER**

SIZE
A

DWG. NO.

4060-30

REV
B

THE INFORMATION CONTAINED IN THIS
 DRAWING IS THE SOLE PROPERTY OF
 CAL AM MFG. ANY
 REPRODUCTION IN PART OR AS A WHOLE
 WITHOUT THE WRITTEN PERMISSION OF
 CAL AM IS PROHIBITED.

SHEET 1 OF 1