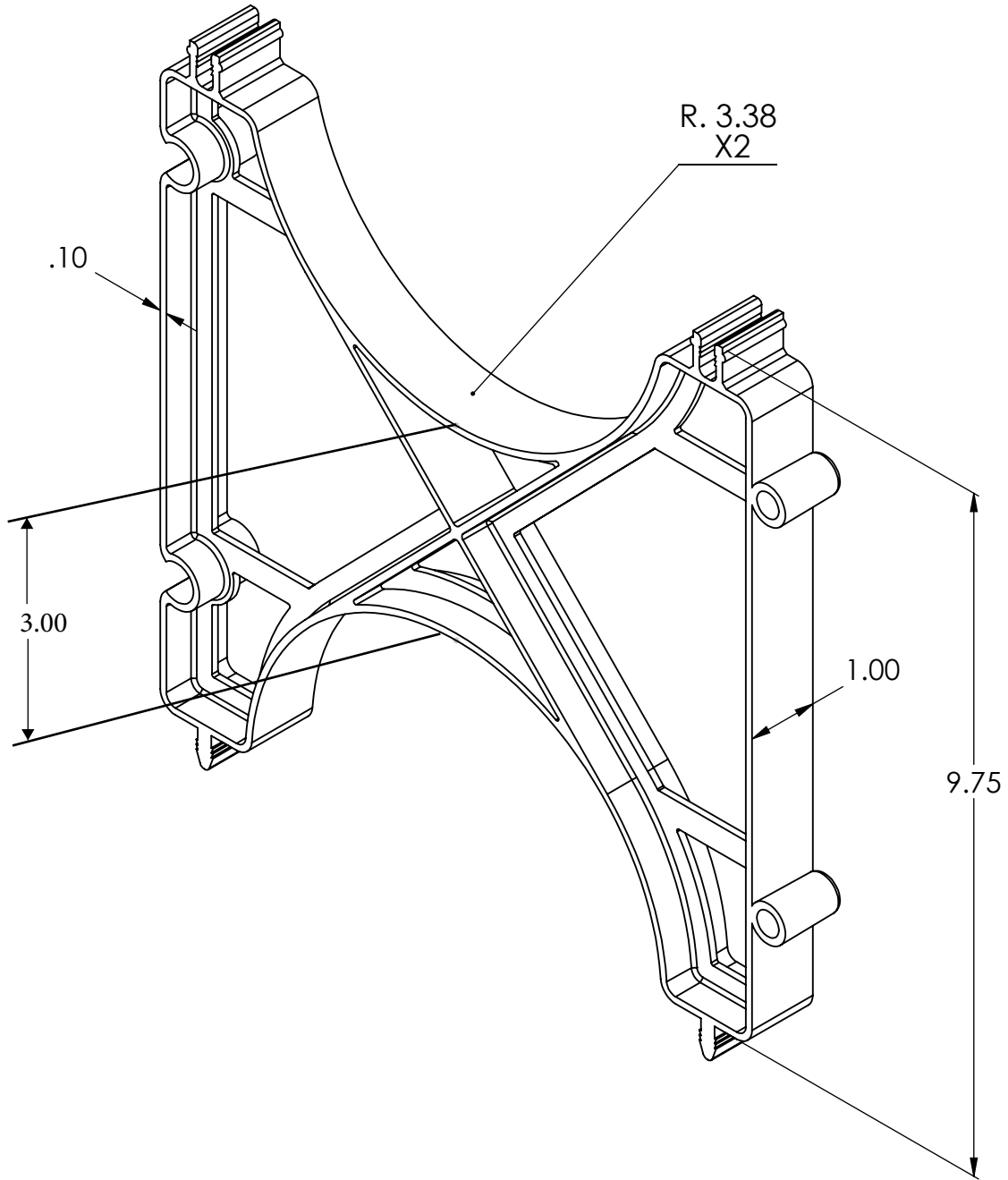


REV	CHANGE	DATE
B	P/N SELECTION	6/06/16



**PROPRIETARY AND CONFIDENTIAL**

THE INFORMATION CONTAINED IN THIS DRAWING IS THE SOLE PROPERTY OF CAL AM MFG. ANY REPRODUCTION IN PART OR AS A WHOLE WITHOUT THE WRITTEN PERMISSIONS OF CAL AM IS PROHIBITED

DIMENSIONS ARE IN INCHES TOLERANCES: ANGULAR: $\pm .5$ TWO PLACE DECIMAL $\pm .010$ THREE PLACE DECIMAL $\pm .005$		DATE	NAME
MATERIAL <b>HIPS</b>		DRAW	08-31-05 MIKE M.
FINISH		CHECKED	
		ENG APPR	
		MFG APPR	
		Q. A.	
		COMMENTS:	



TITLE:

**6" x 3"  
INTER SPACER**

SIZE DWG. NO. **A** 4160-30

REV. **B**