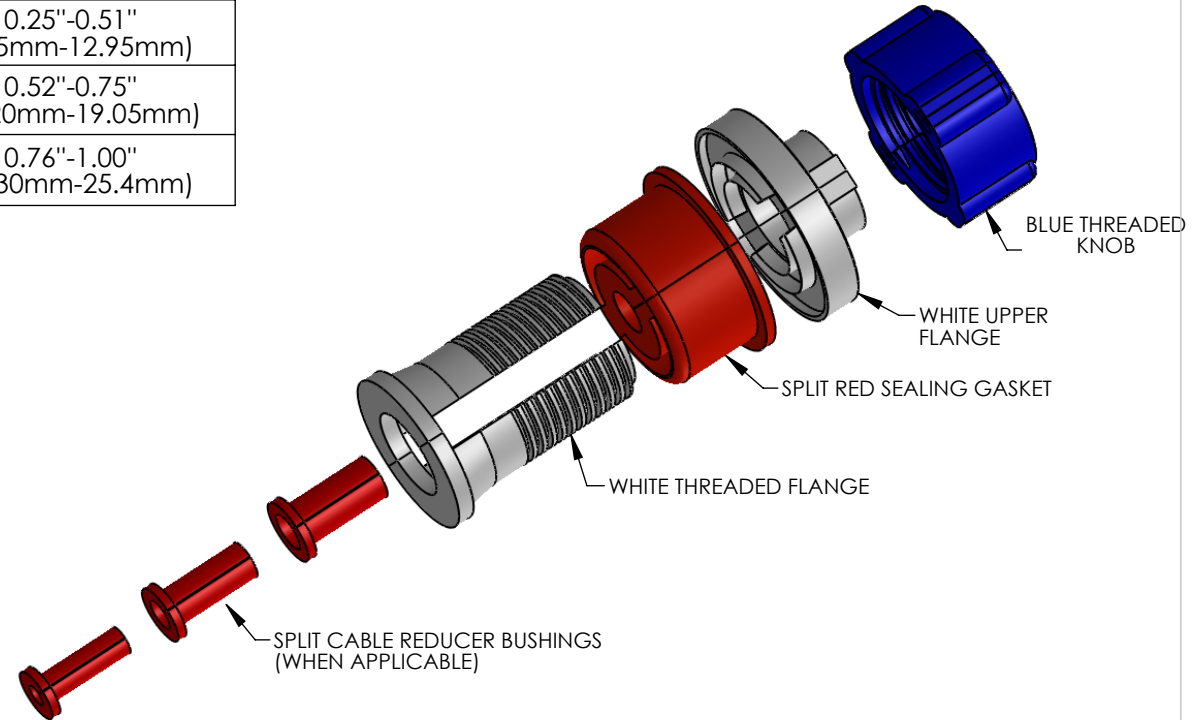
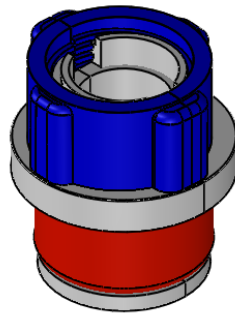
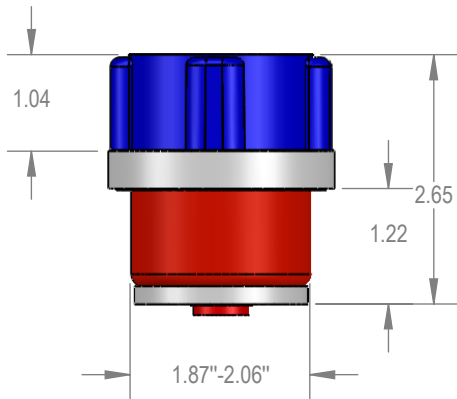


PART NUM.	BUSHINGS QTY	DUCT INNER DIAM RANGE	CABLE OR DUCT OUTER DIAM. RANGE
7120-008-014	0	1.87"-2.06" (47.49mm-52.32mm)	0.08"-0.14" (2.03mm-3.55mm)
7120-015-024	1		0.15"-0.24" (3.81mm-6.09mm)
7120-025-051	3		0.25"-0.51" (6.35mm-12.95mm)
7120-052-075	3		0.52"-0.75" (13.20mm-19.05mm)
7120-076-100	3		0.76"-1.00" (19.30mm-25.4mm)

REV	CHANGE	DATE
B	OPTIMIZED RANGE	8/09/2016



CONTACT INFORMATION  
 PH.619-336-9550  
 CUSTOMER SERVICE  
[sales@calammfg.com](mailto:sales@calammfg.com)  
[www.calammfg.com](http://www.calammfg.com)

**PROPRIETARY AND CONFIDENTIAL**  
 THE INFORMATION CONTAINED IN THIS DRAWING IS THE SOLE PROPERTY OF CALAM MFG. ANY REPRODUCTION IN PART OR AS A WHOLE WITHOUT THE WRITTEN PERMISSION OF CALAM MFG IS PROHIBITED.

UNLESS OTHERWISE SPECIFIED:  
 DIMENSIONS ARE IN INCHES  
 TOLERANCES:  
 FRACTIONAL ±.5  
 ANGULAR: MACH ± BEND ±  
 TWO PLACE DECIMAL ±.010  
 THREE PLACE DECIMAL ±.005

INTERPRET GEOMETRIC TOLERANCING PER:  
 MATERIAL  
 NYLON 66, PVC  
 AND THERMOPLASTIC  
 ELASTOMER  
 FINISH  
 DO NOT SCALE DRAWING

	NAME	DATE
DRAWN	ROBERTO	7/8/2016
CHECKED	F.GRO.	7/8/2016
	B.A.	7/10/2016
MFG APPR.		
ANN.	INCHES	
COMMENTS:		



TITLE: **SIMPLEX WEDGE SEAL™**  
**2.0" 1-WAY**

SIZE	DWG. NO.	REV
A	7120-XXX-XXX	B