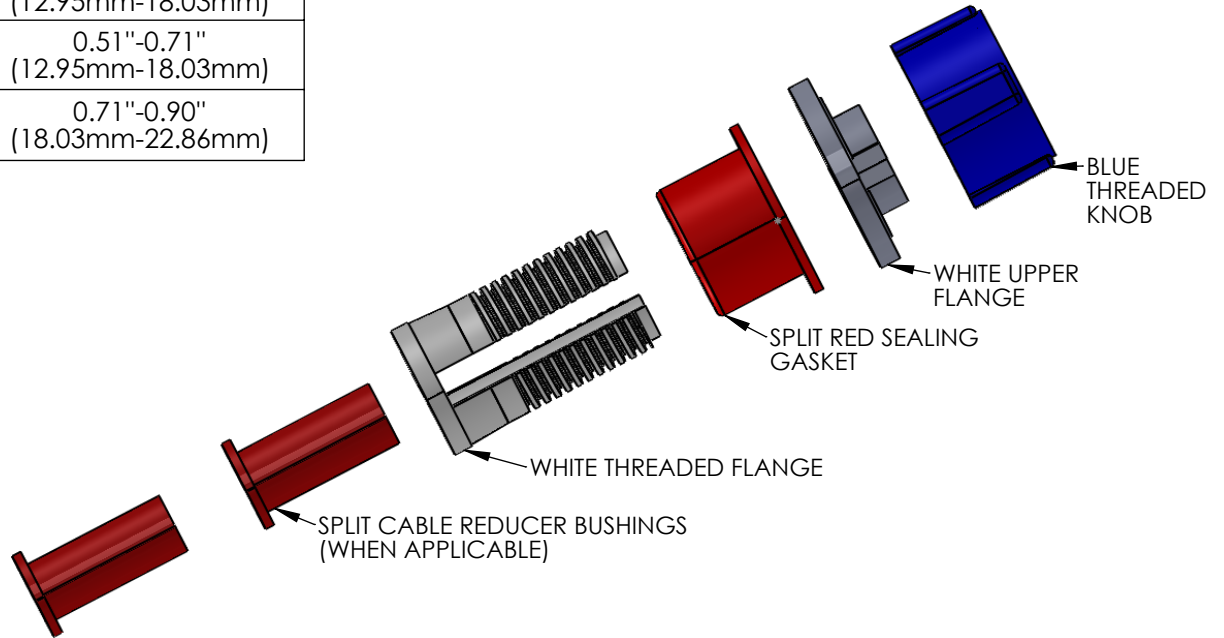
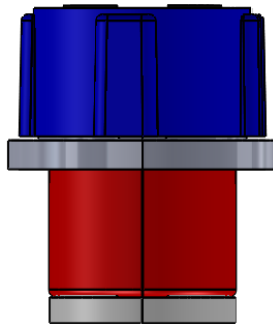
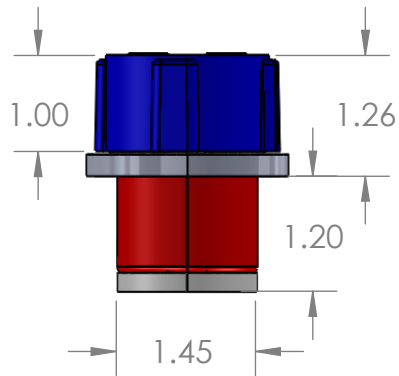


PART NUM.	BUSHINGS QTY	DUCT INNER DIAM RANGE	CABLE OR DUCT OUTER DIAM. RANGE
7115-008-035	2	1.46" - 1.56" (37.08mm - 39.62mm)	0.08" -0.35" (2.03mm-8.86mm)
7115-035-057	2		0.35"-0.57" (8.86mm-14.47mm)
7115-051-071	2		0.51"-0.71" (12.95mm-18.03mm)
7116-051-071	2	1.56" - 1.70" (39.62mm - 43.18mm)	0.51"-0.71" (12.95mm-18.03mm)
7116-071-090	2		0.71"-0.90" (18.03mm-22.86mm)

REV	CHANGE	DATE
B	FOR 1.56" TIGHTER RANGE	10/20/2016



CONTACT INFORMATION
 PH.619-336-9550
 CUSTOMER SERVICE
sales@calammfg.com
www.calammfg.com

PROPRIETARY AND CONFIDENTIAL
 THE INFORMATION CONTAINED IN THIS DRAWING IS THE SOLE PROPERTY OF CALAM MFG. ANY REPRODUCTION IN PART OR AS A WHOLE WITHOUT THE WRITTEN PERMISSION OF CALAM MFG IS PROHIBITED.

UNLESS OTHERWISE SPECIFIED:

DIMENSIONS ARE IN INCHES
 TOLERANCES:
 FRACTIONAL ±.5
 ANGULAR: MACH ± BEND ±
 TWO PLACE DECIMAL ±.010
 THREE PLACE DECIMAL ±.005

INTERPRET GEOMETRIC TOLERANCING PER:
 MATERIAL
 NYLON 66, PVC
 AND THERMOPLASTIC
 ELASTOMER
 FINISH

DO NOT SCALE DRAWING

	NAME	DATE
DRAWN	ROBERTO	10/5/2016
CHECKED	F.GRO.	10/5/2016
	B.A.	10/5/2016
MFG APPR.		
ANN.	INCHES	
COMMENTS:		



TITLE: **SIMPLEX WEDGE SEAL™**
1.5" 1-WAY

SIZE	DWG. NO.	REV
A	7115-XXX-XXX	B