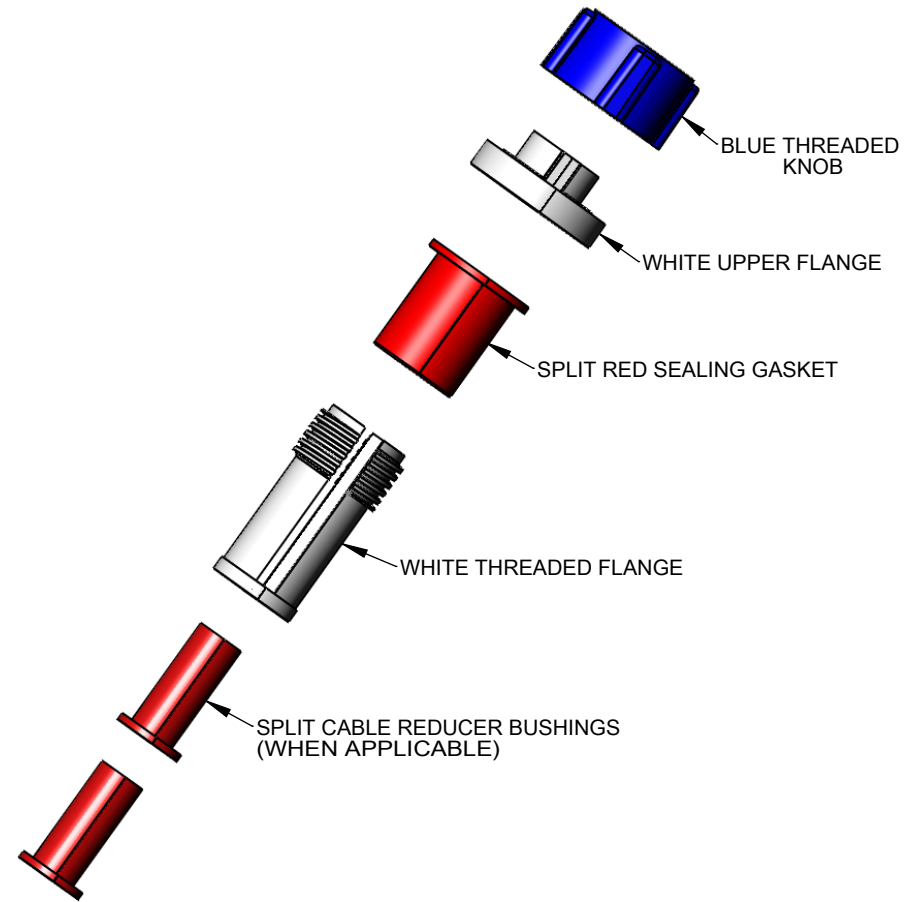
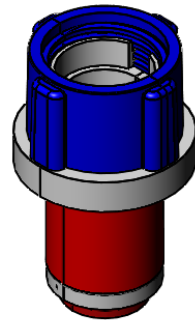
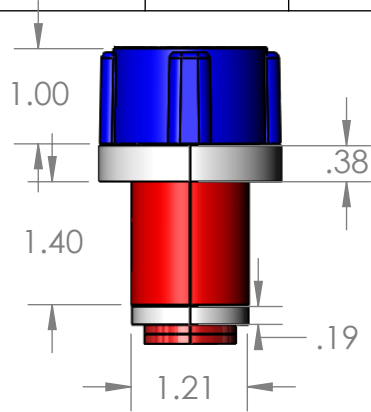


PART NUM	BUSHINGS QTY	DUCT INNER DIAM RANGE	CABLE OR DUCT OUTER DIAM RANGE
7112-035-057	2	1.22"-1.36" (30.98mm-34.54mm)	0.35"-0.57" (8.89mm-14.47mm)
7112-051-071	2		0.51"-0.71" (12.95mm-18.03mm)
7112-071-084	1		0.71"-0.84" (18.03mm-21.33mm)
7113-012-043	2	1.37"-1.50" (34.79mm-38.1mm)	0.12"-0.43" (3.04mm-10.92mm)
7113-035-057	2		0.35"-0.57" (8.89mm-14.47mm)
7113-051-071	2		0.51"-0.71" (12.95mm-18.03mm)

REV	CHANGE	DATE



CONTACT INFORMATION
 PH.619-336-9550
 CUSTOMER SERVICE
sales@calammfg.com
www.calammfg.com

PROPRIETARY AND CONFIDENTIAL
 THE INFORMATION CONTAINED IN THIS DRAWING IS THE SOLE PROPERTY OF CALAM MFG. ANY REPRODUCTION IN PART OR AS A WHOLE WITHOUT THE WRITTEN PERMISSION OF CALAM MFG IS PROHIBITED.

UNLESS OTHERWISE SPECIFIED:		NAME	DATE
DIMENSIONS ARE IN INCHES		DRAWN	ROBERTO 12/9/2016
TOLERANCES:		CHECKED	F.GRO. 12/6/2016
FRACTIONAL ±.5			B.A. 12/6/2016
ANGULAR: MACH ± BEND ±		MFG APPR.	
TWO PLACE DECIMAL ±.010		ANN.	INCHES
THREE PLACE DECIMAL ±.005		COMMENTS:	
INTERPRET GEOMETRIC TOLERANCING PER:			
MATERIAL NYLON 66, PVC AND THERMOPLASTIC ELASTOMER			
FINISH			
DO NOT SCALE DRAWING			



TITLE: **SIMPLEX WEDGE SEAL™**
1.25"-1.37" 1-WAY

SIZE	DWG. NO.	REV
A	7112-XXX-XXX	A