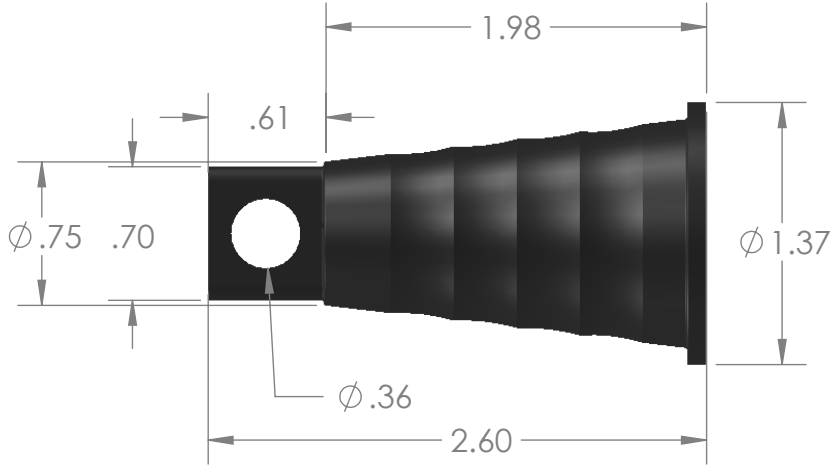



REV	CHANGE	DATE
C	ADDED LENGTH	2/20/2017



**PROPRIETARY AND CONFIDENTIAL**  
 THE INFORMATION CONTAINED IN THIS DRAWING IS THE SOLE PROPERTY OF CALAM MFG. ANY REPRODUCTION IN PART OR AS A WHOLE WITHOUT THE WRITTEN PERMISSION OF CALAM MFG. IS PROHIBITED.

		UNLESS OTHERWISE SPECIFIED:		NAME	DATE	 <b>TITLE:</b> <b>1" POLY PULL PLUG WITH ROPE TAB</b>		
		DIMENSIONS ARE IN INCHES	DRAWN	HUIZAR	06/02/14			
		TOLERANCES:	CHECKED	F.GRO	06/02/14			
		FRACTIONAL ± 1/64	ENG APPR.					
		ANGULAR: 0.125°	MFG APPR.					
		TWO PLACE DECIMAL ±0.010	Q.A.			SIZE <b>A</b> DWG. NO. <b>2250-010</b> REV <b>C</b>		
		THREE PLACE DECIMAL ±0.005	COMMENTS:					
		INTERPRET GEOMETRIC TOLERANCING PER:				SCALE:	WEIGHT:	SHEET 1 OF 1
		MATERIAL						
		<b>LDPE BLACK</b>						
		FINISH						
NEXT ASSY	USED ON							
APPLICATION		DO NOT SCALE DRAWING						

5

4

3

2

1