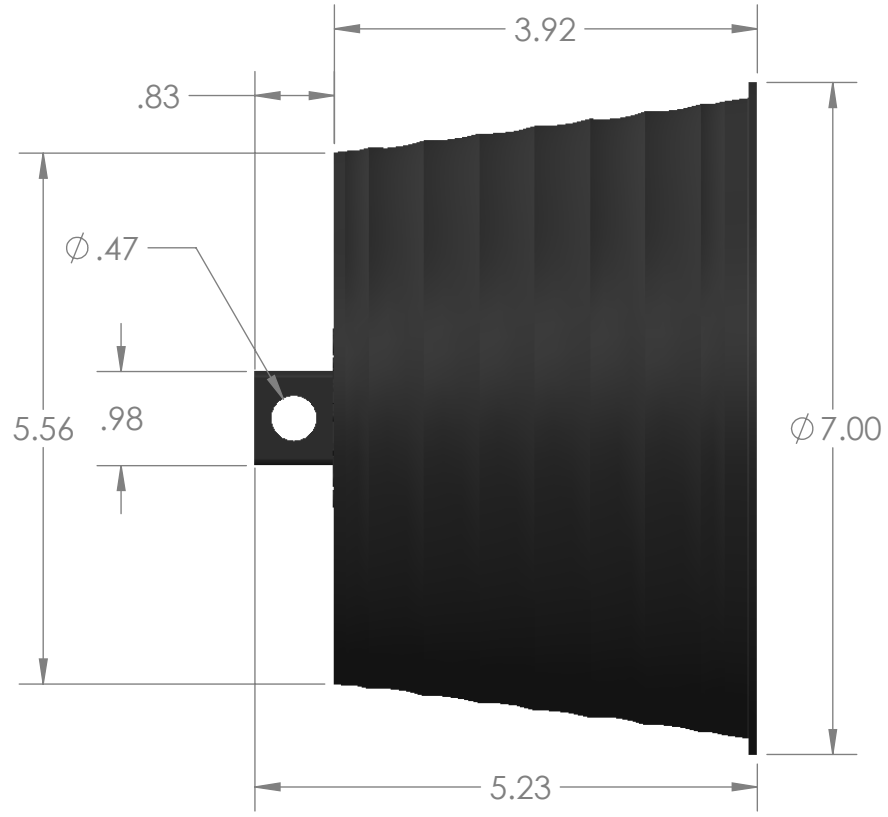


REV	CHANGE	DATE
C	ADDED LENGTH	2/20/2017



PROPRIETARY AND CONFIDENTIAL
 THE INFORMATION CONTAINED IN THIS DRAWING IS THE SOLE PROPERTY OF CALAM MFG. ANY REPRODUCTION IN PART OR AS A WHOLE WITHOUT THE WRITTEN PERMISSION OF CALAM MFG. IS PROHIBITED.

		UNLESS OTHERWISE SPECIFIED:	NAME	DATE
		DIMENSIONS ARE IN INCHES	DRAWN	HUIZAR 06/02/14
		TOLERANCES:	CHECKED	F.GRO 06/02/14
		FRACTIONAL ± 1/64	ENG APPR.	
		ANGULAR: 0.125°	MFG APPR.	
		TWO PLACE DECIMAL ±0.010	Q.A.	
		THREE PLACE DECIMAL ±0.005	COMMENTS:	
		INTERPRET GEOMETRIC TOLERANCING PER:		
		MATERIAL		
		LDPE BLACK		
NEXT ASSY	USED ON	FINISH		
APPLICATION		DO NOT SCALE DRAWING		



TITLE: 6" POLY PULL PLUG WITH ROPE TAB

SIZE	DWG. NO.	REV
A	2250-060	C
SCALE:	WEIGHT:	SHEET 1 OF 1