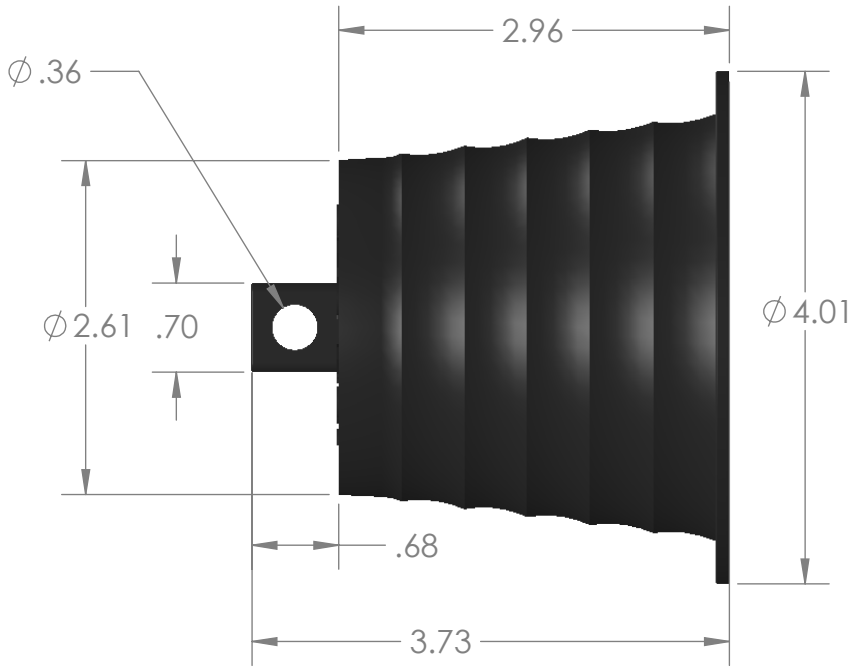


REV	CHANGE	DATE
C	ADDED LENGTH	2/20/2017



PROPRIETARY AND CONFIDENTIAL
 THE INFORMATION CONTAINED IN THIS DRAWING IS THE SOLE PROPERTY OF CALAM MFG. ANY REPRODUCTION IN PART OR AS A WHOLE WITHOUT THE WRITTEN PERMISSION OF CALAM MFG. IS PROHIBITED.

		UNLESS OTHERWISE SPECIFIED:		NAME	DATE
		DIMENSIONS ARE IN INCHES TOLERANCES: FRACTIONAL ± 1/64 ANGULAR: 0.125° TWO PLACE DECIMAL ±0.010 THREE PLACE DECIMAL ±0.005	DRAWN	HUIZAR	06/02/14
		INTERPRET GEOMETRIC TOLERANCING PER:	CHECKED	F.GRO	06/02/14
		MATERIAL LDPE BLACK	ENG APPR.		
		FINISH	MFG APPR.		
NEXT ASSY	USED ON		Q.A.		
APPLICATION		DO NOT SCALE DRAWING	COMMENTS:		



TITLE: 3" POLY PULL PLUG WITH ROPE TAB

SIZE A	DWG. NO. 2250-030	REV C
SCALE:	WEIGHT:	SHEET 1 OF 1