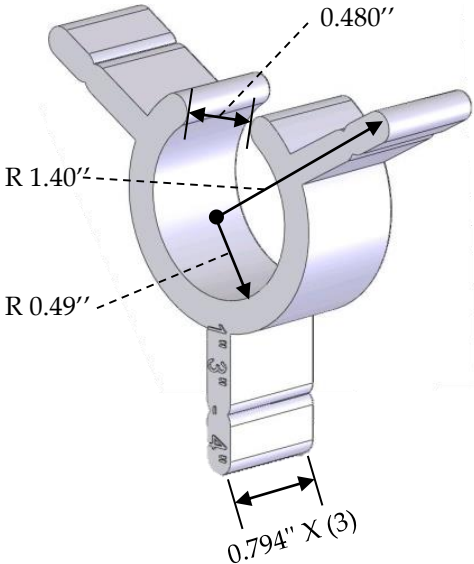



REV	CHANGE	DATE
B	SIMPLIFIED DIMENSIONS	8/27/15



PROPRIETARY AND CONFIDENTIAL
 THE INFORMATION CONTAINED IN THIS DRAWING IS THE SOLE PROPERTY OF CALAM MFG. ANY REPRODUCTION IN PART OR AS A WHOLE WITHOUT THE WRITTEN PERMISSION OF CALAM MFG. IS PROHIBITED.

		UNLESS OTHERWISE SPECIFIED:		NAME	DATE			
		DIMENSIONS ARE IN INCHES	DRAWN	F.GRO	6/2/15			
		TOLERANCES:	CHECKED	F.GRO	6/2/15			
		FRACTIONAL ± 1/64	ENG APPR.					
		ANGULAR: ± 0.125°	MFG APPR.			TITLE: CENTRALIZER 4" X 3/4"		
		TWO PLACE DECIMAL ± 0.010	Q.A.					
		THREE PLACE DECIMAL ± 0.005	COMMENTS:					
		INTERPRET GEOMETRIC TOLERANCING PER: MATERIAL				SIZE	DWG. NO.	REV
		ABS, BLACK				A	6307-34	B
	NEXT ASSY	USED ON	FINISH			SCALE:	WEIGHT:	SHEET 1 OF 1
			DO NOT SCALE DRAWING					