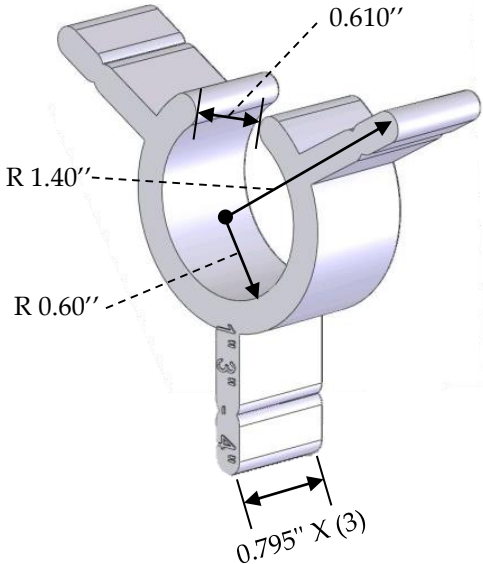



REV	CHANGE	DATE
B	SIMPLIFIED DIMENSIONS	8/27/15



**PROPRIETARY AND CONFIDENTIAL**  
 THE INFORMATION CONTAINED IN THIS DRAWING IS THE SOLE PROPERTY OF CALAM MFG. ANY REPRODUCTION IN PART OR AS A WHOLE WITHOUT THE WRITTEN PERMISSION OF CALAM MFG. IS PROHIBITED.

		UNLESS OTHERWISE SPECIFIED:		NAME	DATE		
		DIMENSIONS ARE IN INCHES	DRAWN	F.GRO	6/2/15		<b>TITLE:</b>  <b>CENTRALIZER</b> <b>4" X 1"</b>
		TOLERANCES:	CHECKED	F.GRO	6/2/15		
		FRACTIONAL ± 1/64	ENG APPR.				
		ANGULAR: ± 0.125°	MFG APPR.				
		TWO PLACE DECIMAL ± 0.010	Q.A.			<b>SIZE</b>   <b>DWG. NO.</b>   <b>REV</b> <b>A</b>   <b>6310-34</b>   <b>B</b>	
		THREE PLACE DECIMAL ± 0.005	COMMENTS:				
		INTERPRET GEOMETRIC TOLERANCING PER: MATERIAL					
		ABS, BLACK				SCALE:   WEIGHT:   SHEET 1 OF 1	
		FINISH					
	NEXT ASSY	USED ON					
	APPLICATION		DO NOT SCALE DRAWING				