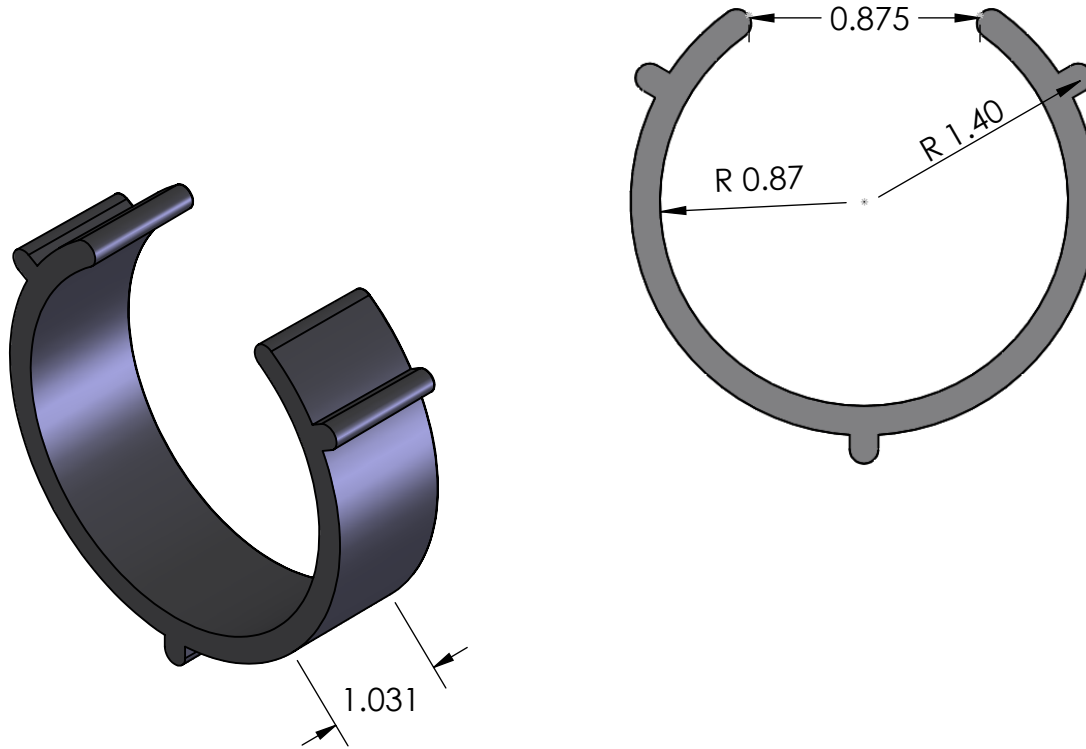



REV	CHANGE	DATE
B	SIMPLIFIED DIMENSIONS	8/27/15



**PROPRIETARY AND CONFIDENTIAL**  
 THE INFORMATION CONTAINED IN THIS DRAWING IS THE SOLE PROPERTY OF CALAM MFG. ANY REPRODUCTION IN PART OR AS A WHOLE WITHOUT THE WRITTEN PERMISSION OF CALAM MFG. IS PROHIBITED.

		UNLESS OTHERWISE SPECIFIED:  DIMENSIONS ARE IN INCHES TOLERANCES: FRACTIONAL $\pm 1/64$ ANGULAR: $0.125^\circ$ TWO PLACE DECIMAL $\pm 0.010$ THREE PLACE DECIMAL $\pm 0.005$  INTERPRET GEOMETRIC TOLERANCING PER: MATERIAL <b>ABS, BLACK</b> FINISH	NAME	DATE	  TITLE:  <b>CENTRALIZER          4" X 1 1/2"</b>  SIZE DWG. NO. REV <b>A 6315-34 B</b>  SCALE: WEIGHT: SHEET 1 OF 1
			DRAWN	F.GRO 6/2/14	
			CHECKED	F.GRO 6/2/15	
			ENG APPR.		
			MFG APPR.		
			Q.A.		
			COMMENTS:		
NEXT ASSY	USED ON				
APPLICATION		DO NOT SCALE DRAWING			