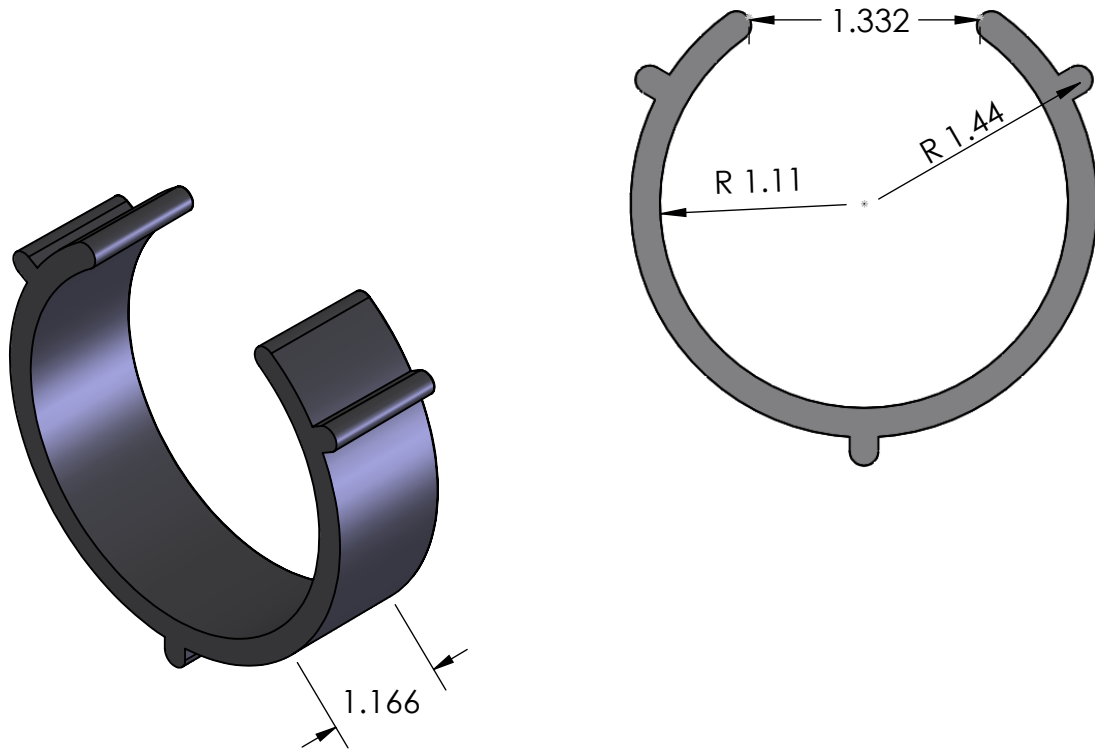



REV	CHANGE	DATE
B	SIMPLIFIED DIMENSIONS	8/27/15



**PROPRIETARY AND CONFIDENTIAL**  
 THE INFORMATION CONTAINED IN THIS DRAWING IS THE SOLE PROPERTY OF CALAM MFG. ANY REPRODUCTION IN PART OR AS A WHOLE WITHOUT THE WRITTEN PERMISSION OF CALAM MFG. IS PROHIBITED.

		UNLESS OTHERWISE SPECIFIED:		NAME	DATE			
		DIMENSIONS ARE IN INCHES	DRAWN	F.GRO	6/2/14			
		TOLERANCES:	CHECKED	F.GRO	6/2/15			
		FRACTIONAL $\pm 1/64$	ENG APPR.					
		ANGULAR: $0.125^\circ$	MFG APPR.					
		TWO PLACE DECIMAL $\pm 0.010$	Q.A.			<b>TITLE:</b>  <b>CENTRALIZER</b> <b>4" X 2"</b>		
		THREE PLACE DECIMAL $\pm 0.005$	COMMENTS:					
		INTERPRET GEOMETRIC TOLERANCING PER:				SIZE	DWG. NO.	REV
		MATERIAL				<b>A</b>	6320-46	<b>B</b>
		ABS, BLACK						
		FINISH						
NEXT ASSY	USED ON					SCALE:	WEIGHT:	SHEET 1 OF 1
	APPLICATION	DO NOT SCALE DRAWING						