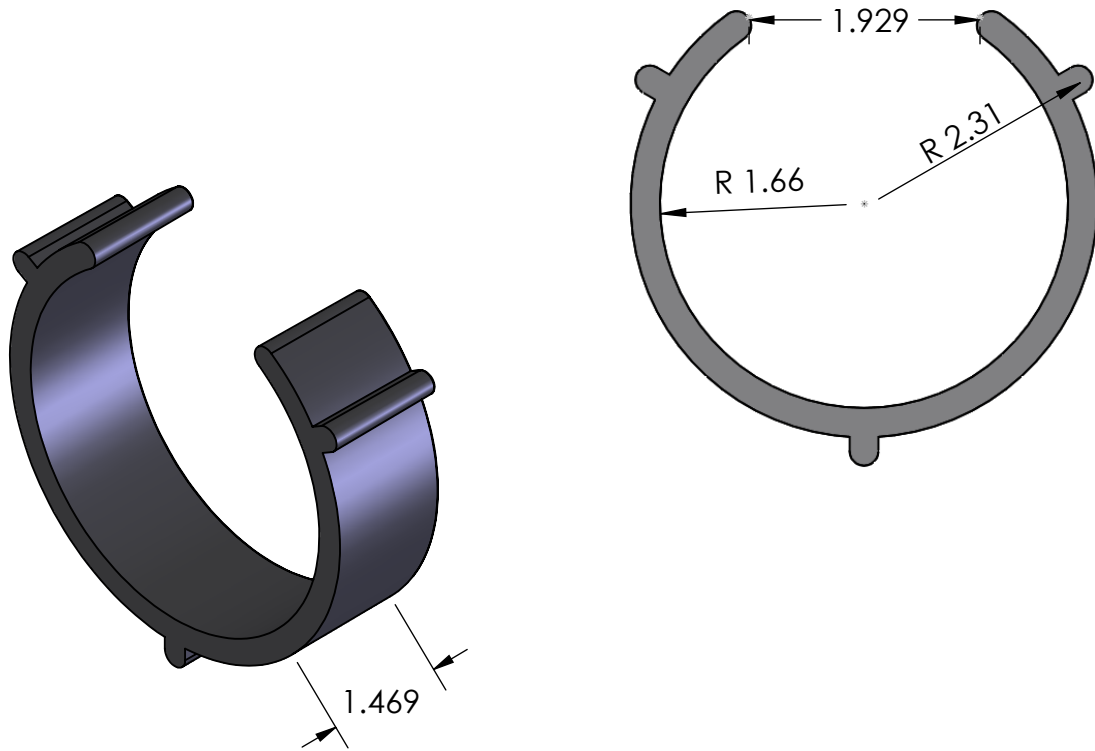



REV	CHANGE	DATE
B	SIMPLIFIED DIMENSIONS	8/27/15



PROPRIETARY AND CONFIDENTIAL
 THE INFORMATION CONTAINED IN THIS DRAWING IS THE SOLE PROPERTY OF CALAM MFG. ANY REPRODUCTION IN PART OR AS A WHOLE WITHOUT THE WRITTEN PERMISSION OF CALAM MFG. IS PROHIBITED.

		UNLESS OTHERWISE SPECIFIED:		NAME	DATE	 TITLE: CENTRALIZER 6" X 3"
		DIMENSIONS ARE IN INCHES	DRAWN	F.GRO	6/2/14	
		TOLERANCES:	CHECKED	F.GRO	6/2/15	
		FRACTIONAL ± 1/64	ENG APPR.			
		ANGULAR: 0.125°	MFG APPR.			
		TWO PLACE DECIMAL ±0.010	Q.A.			SIZE DWG. NO. REV A 6330-60 B
		THREE PLACE DECIMAL ±0.005	COMMENTS:			
		INTERPRET GEOMETRIC TOLERANCING PER:				SCALE:
		MATERIAL				WEIGHT:
		ABS, BLACK				SHEET 1 OF 1
		FINISH				
	NEXT ASSY	USED ON				
	APPLICATION		DO NOT SCALE DRAWING			

5

4

3

2

1