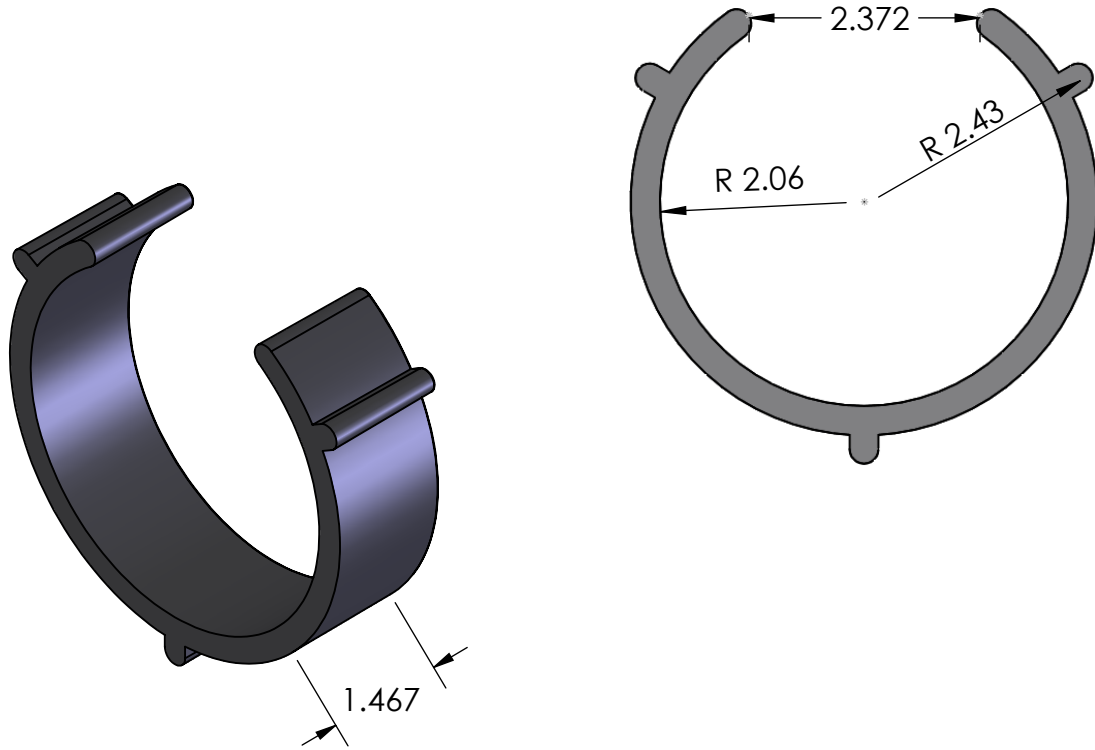



REV	CHANGE	DATE
B	SIMPLIFIED DIMENSIONS	8/27/15



**PROPRIETARY AND CONFIDENTIAL**  
 THE INFORMATION CONTAINED IN THIS DRAWING IS THE SOLE PROPERTY OF CALAM MFG. ANY REPRODUCTION IN PART OR AS A WHOLE WITHOUT THE WRITTEN PERMISSION OF CALAM MFG. IS PROHIBITED.

		UNLESS OTHERWISE SPECIFIED:		NAME	DATE			
		DIMENSIONS ARE IN INCHES	DRAWN	F.GRO	6/2/14			
		TOLERANCES:	CHECKED	F.GRO	6/2/15			
		FRACTIONAL ± 1/64	ENG APPR.					
		ANGULAR: 0.125°	MFG APPR.					
		TWO PLACE DECIMAL ±0.010	Q.A.			<b>TITLE:</b>  <b>CENTRALIZER</b> <b>6" X 4"</b>		
		THREE PLACE DECIMAL ±0.005	COMMENTS:					
		INTERPRET GEOMETRIC TOLERANCING PER:				SIZE	DWG. NO.	REV
		MATERIAL				<b>A</b>	6340-60	<b>B</b>
		ABS, BLACK						
		FINISH						
NEXT ASSY	USED ON					SCALE:	WEIGHT:	SHEET 1 OF 1
APPLICATION		DO NOT SCALE DRAWING						

5

4

3

2

1